

压控晶振VCX0DIP14

■ Features

- A compact and thin.:20.5*12.8*5.0mm
- Operating temperature range: -10°C to 60°C
- Output level:CMOS/TTL
- Supports low current consumption.



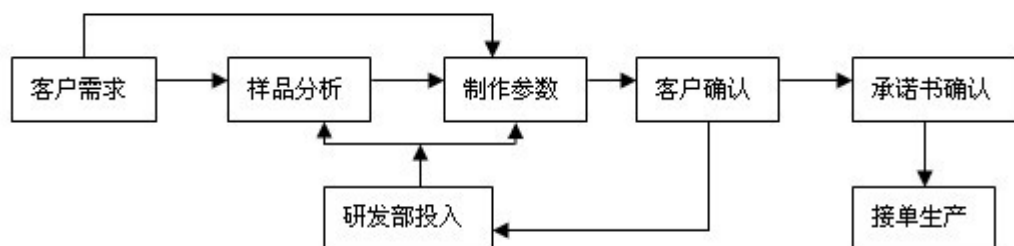
■ Specifications

项目Item	技术Specifications	备注Remarks
频率范围Freq. Range	1.0MHz to 40.000MHz	40~1600MHzp11
	40.000MHz~800.000MHz ppl	
频率稳定性Frequency Stability	±10PPm, ±20PPm, ±30PPm	
工作温度Operaing Temp	-10°C to 60°C	(Optional)-40°C to85°C
储存温度Storage Temp	-55°C to 125°C	
输出波形对称性Output Symmetry	CMOS or TTL/ ±50%±10%	15pF/10TTL
Time	TR	<10ns
Time	TF	<10ns
电源电压Supply Voltage	5.0Vdc±5% or 3.3Vdc±5%	
电源电流Supply Current	35mA Max or 50mA Max	
Range	±50PPm to ±200PPm	可依实际而定Others are offer
Voltge	±1.6V±0.05V or ±2.5v±0.05v	
Range	±1.6V±1.35V or ±2.5v±2.0v	
线性度Linearity	±10%	
Stope	Positive	
Modulation Frequency Bandwidth	10KHz Min	
Vc Input impedance	10KΩ Min	

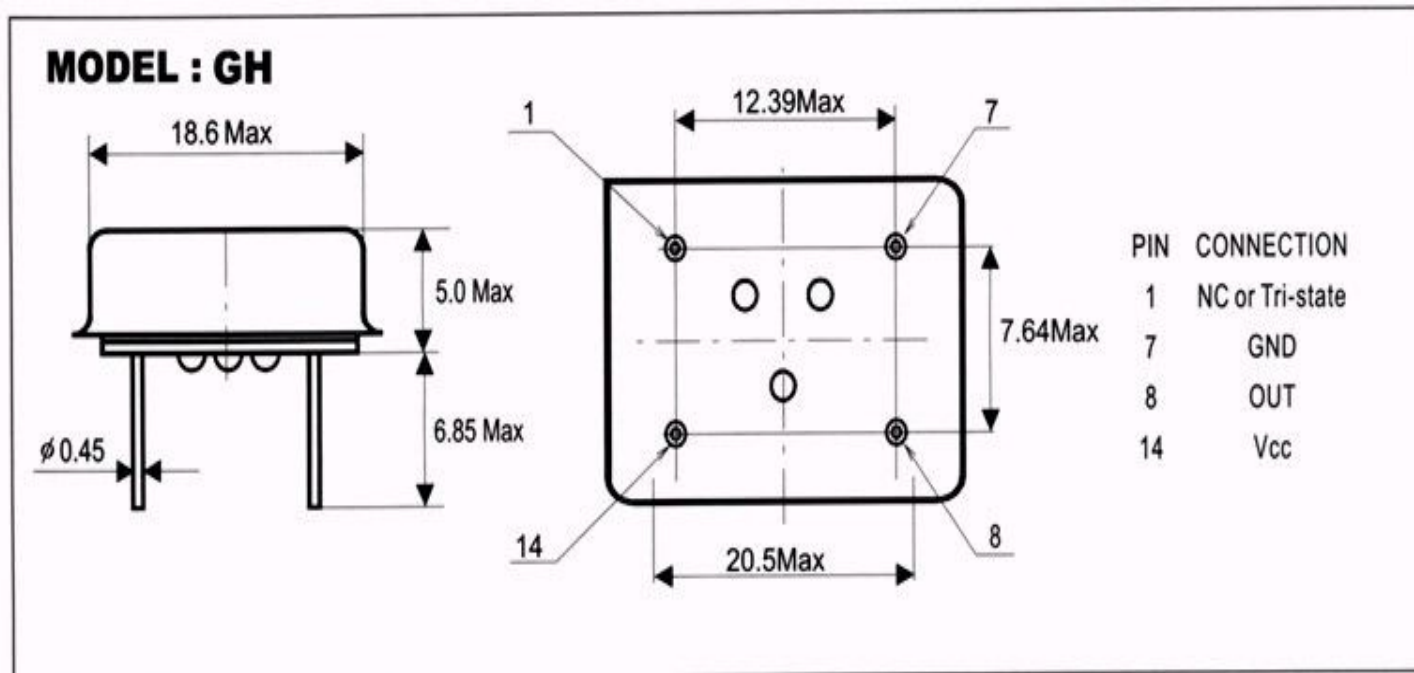
■ Stability vs. Temperature

★Standard	1	2	4	5	Remarks
☆Please specify	±25ppm	±50ppm	±100ppm	150ppm	
C -20°C to +70°C	★	☆	☆	☆	Standard
D -40°C to +85°C	☆	★	☆	☆	

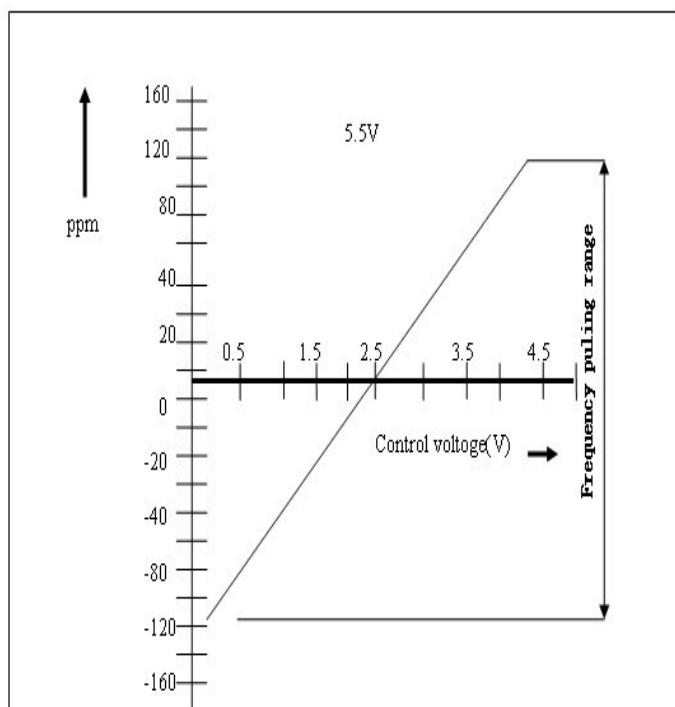
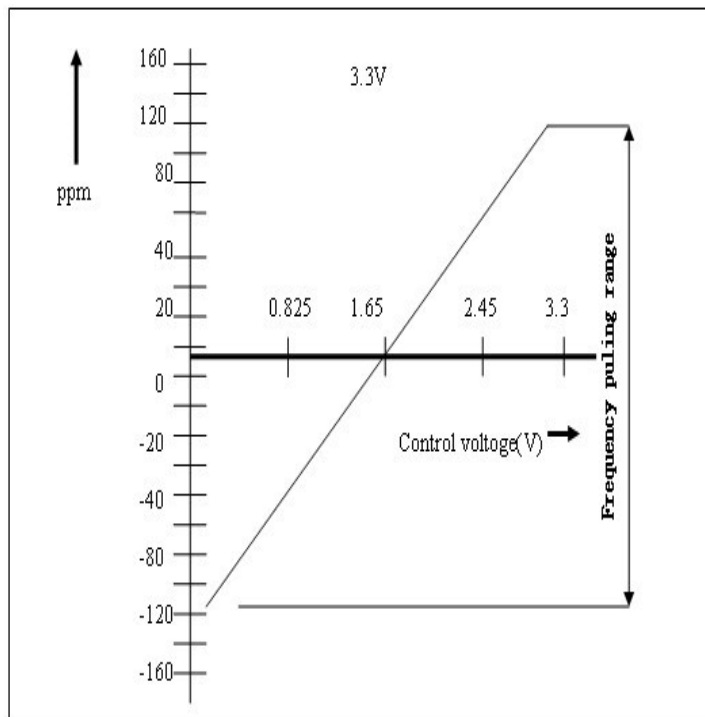
■ Ordering Information



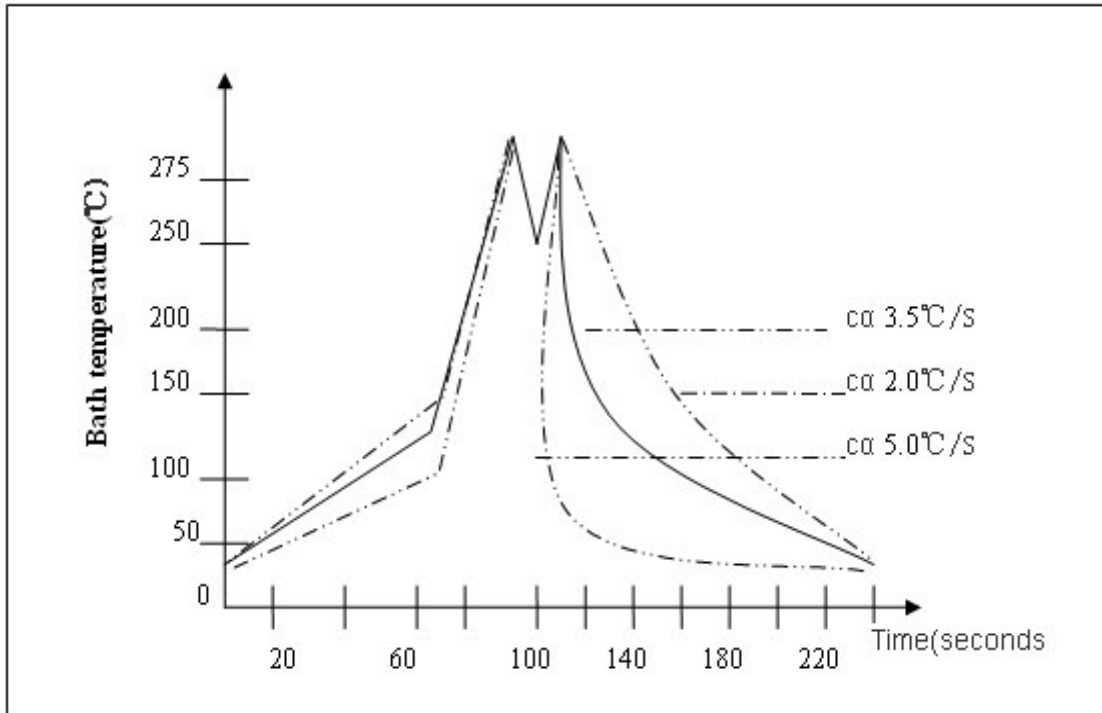
■ Dimensions



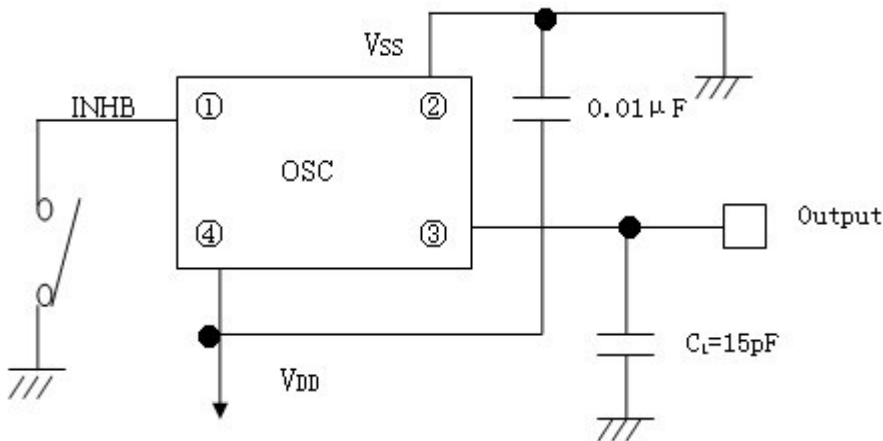
■ Control Voltage Characteristic



Wave Soldering Profile



使用电路图和引出端功能说明



引脚	1	2	3	4
功能	输出状态控制/NC	地VSS	输出QOUT	电源VDD

输出控制端INHB	“H”高电平或开路OPEN	“L”低电平（三态）
输出Qout	振荡器正常输出	高阻抗

注意：输出状态控制端INHB（三态端）不能接地，否则振荡器呈高阻抗