

温补晶体振荡器TCXO

Features

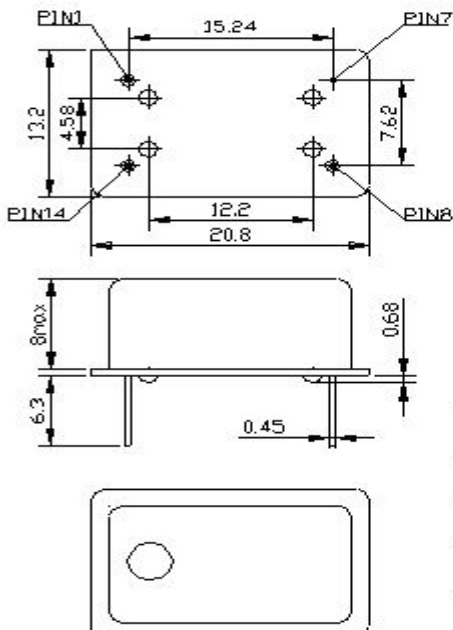
- voltage (3.3V~5.0V)
- Output Waveform (CMOS/TTL)
- Supports a WIDE FREQUENCY RANGE (32.768kHz to 800MHz)
- Versus Temperature Range: 1.0ppm~2.5ppm
- Compact with dimensions of 20.8×13.5×8mm



Specifications

项目Item	技术Specifications			备注Remarks	
频率范围	25.000MHZ				
工作温度	-20~70, -40~85				
频率温度特性	±1.0PPM, ±1.5PPM, ±2.0PPM, ±2.5PPM				
电源电压	5.0Vdc±5% or 3.3Vdc±5%				
电源电流	5mA Max		Clippde Sine		
	20mA Max		TTL/CMOS		
老化率	±1.0PPM			per Year	
频率稳定性	±0.1PPM, ±0.2PPM, ±0.3PPM, ±0.5PPM			Vcc±5%	
Jitter (抖动)	3ps			RMS Noise	
Allan Variance	3PPB				
Phase Noise (相位噪声)	100Hz	-100dBc/Hz			
	1KHz	-130dBc/Hz			
	10KHz	-140dBc/Hz			
	100KHz	-145dBc/Hz			
输出, 负载特点	A	Output Waveform	TTL	CMOS	Clippde Sine
	B	Output Levels	TTL	CMOS	1V pkT0 pk
	C	Duty Cycle	50%±10%	50%±10%	-
	D	Rise/Fall Time	5ns	5ns	-
	E	Load	10TTL	15pF	10KΩ//10pF
Frequency Adjustment	±1PPm Min				

Dimensions



PIN	FUNCTION
1	Vcon/NC
7	GND
8	Output
14	Power Supply