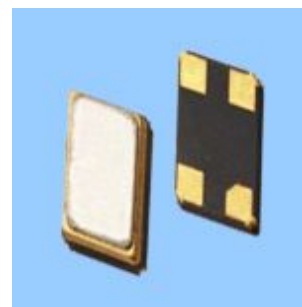


SMD5032-8.000MHZ-4P

Features

A small surface-mount type crystal unit, ideal for OA, AV and Accessories for a car, which need performance for wide temperature range.

- Compact and thin. (5×3.2×1.1mm typ.)
- Excellent electrical performance, ideal for OA and AV applications.
- Excellent environmental performance, including heat and shock resistance.
- Meets the requirements for re-flow profiling using lead-free solder.



Specifications

项目Item	技术Specifications	备注Remarks
频率范围Freq. Range	8.000MHz	
调整频差Freq. Tol.	±10PPm TO ±50PPm	Others are offered
负载电容Load Capacitance	Fund. :10pF to ∞ 5pf to ∞	明确注释please specify
Series Resistance	As ESR table	
Storage Temperature	±20PPm (Standard)	可依实际而定Others are offered
工作温度Operaing Temp	-20°C to 70°C (Standard)	可依实际而定Others are offered
储存温度Storage Temp	-55°C to 125°C	
最大值Max, drive level	1000 μW	
建议使用Rec, drive level	10 μW to 100 μW	
静电容 Shunt Capacitance	7pF Max	
绝缘电阻 Insulation Resistance	500m Ω Min	Minimum
老化率Aging	±2PPm/Year Max	Maximum

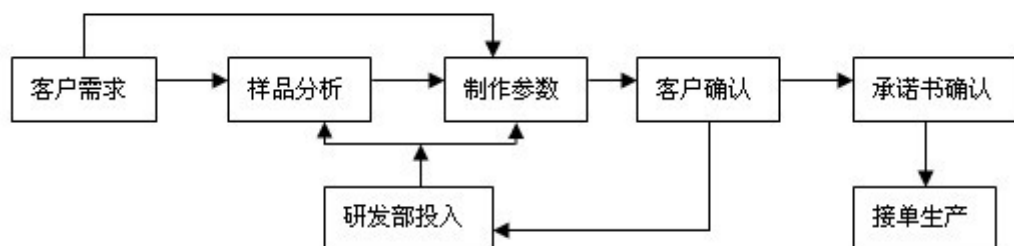
ESR (Series Resistance)

Frequency (MHz)	Mode	Ohm Max	Frequency (MHz)	Mode	Ohm Max
8~16	Fund. AT	100	40~80	3 rd O. T. ;AT	100
16~52	Fund. AT	40	80~150	3 rd O. T. ;AT	80

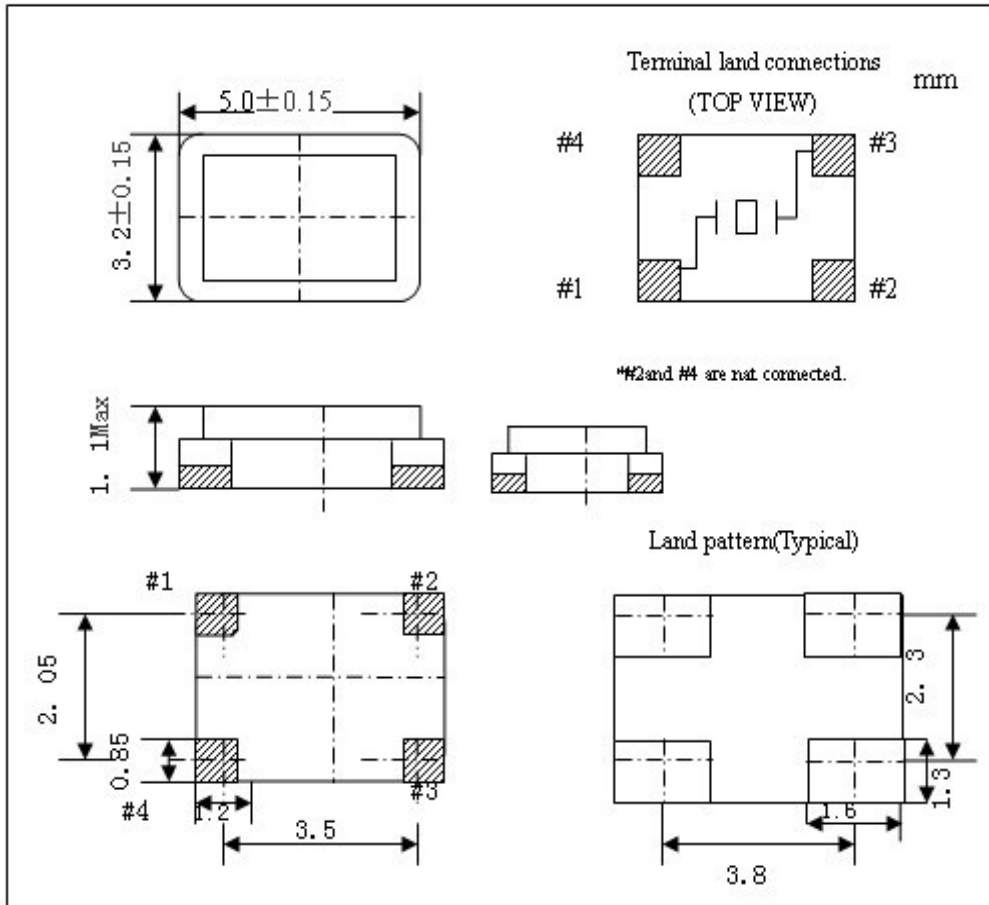
Stability vs. Temperature

★Standard	1	2	3	5	6	7	Remarks
☆Please specify	±10ppm	±20ppm	±30ppm	±50ppm	±100ppm	±150ppm	
B -10°C to +60°C	☆				☆		
C -20°C to +70°C	☆	★	☆	☆	☆	☆	Standard
D -40°C to +85°C		☆	☆	★	☆	☆	
E -45°C to +150°C				★		☆	

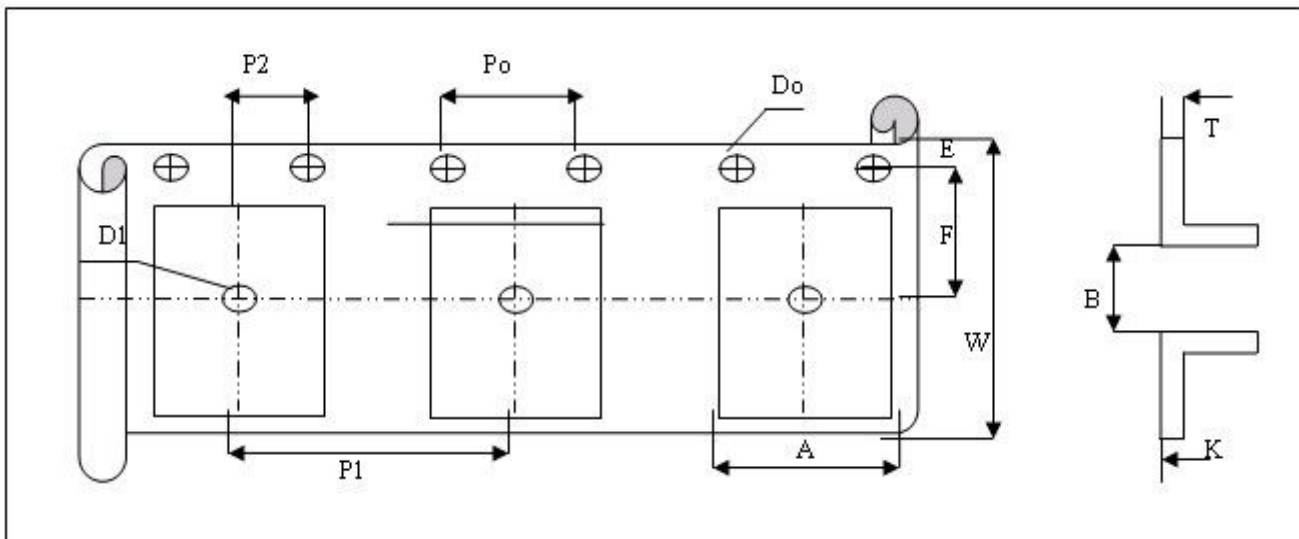
Ordering Information



Dimensions



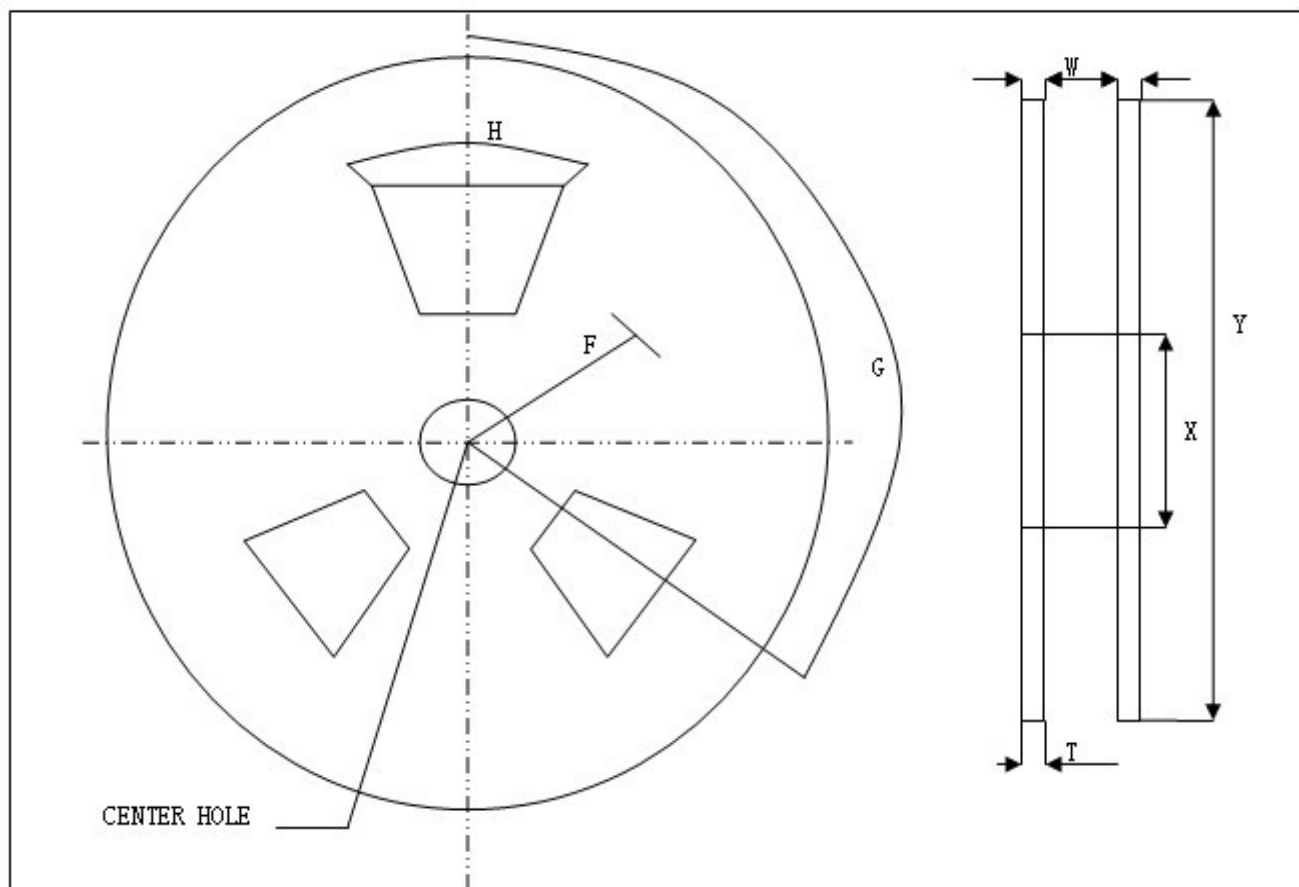
Taping Specification



Symbol	A	B	Do	D1	E	F	
DIMENSION	5*3.24P	3.5	5.5	1.5	1.5	1.75	5.5
Symbol	K	Po	P1	P2	T	W	
DIMENSION	5*3.24p	1.1	4	8	2	0.25	12

Unit:mm

■ Taping Specification



Symbol	H	F	G	W	T	X	Y	
Dimension	5*3.24P	40°	21±0.8	120	17.5	2	50	250