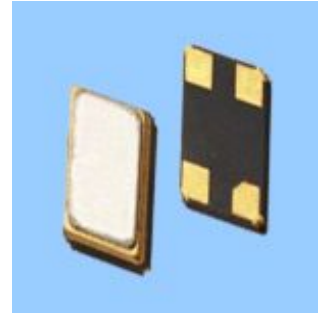


SMD32254P

Features

A small surface-mount type crystal unit, ideal for OA, AV and Accessories for a car, which need performance for wide temperature range.

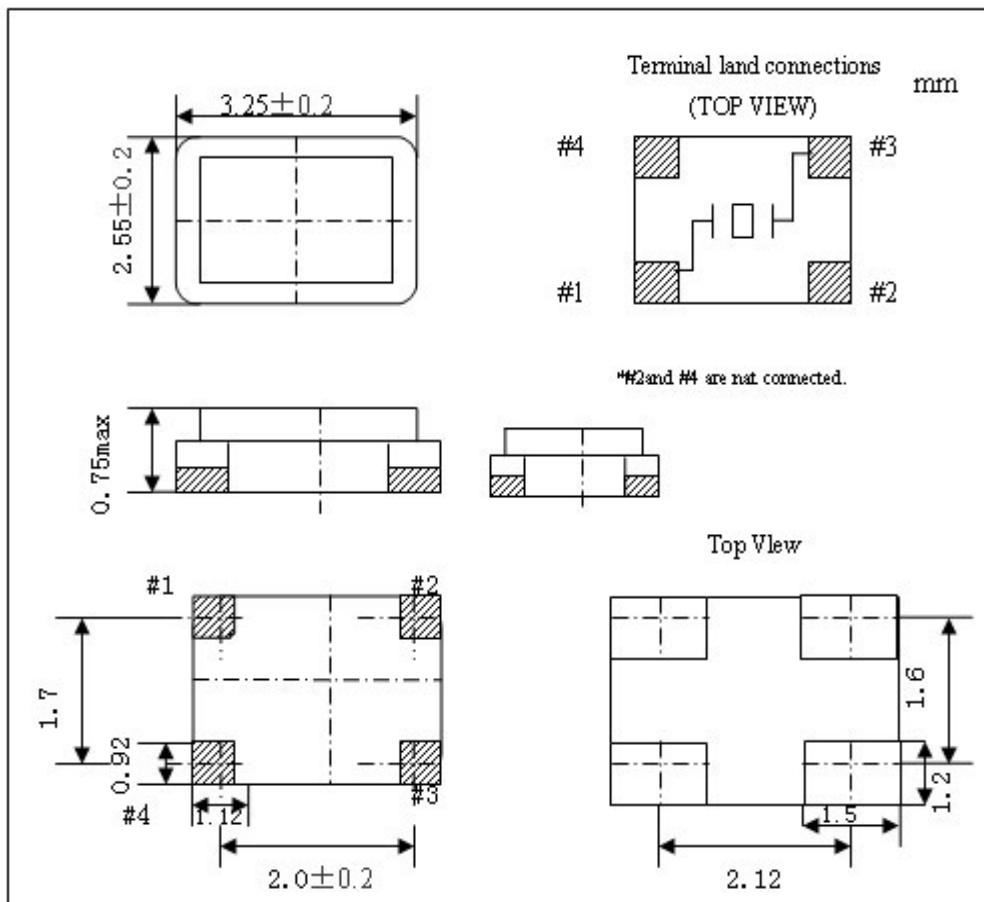
- Compact and thin. (3.2×2.5×0.7mm typ.)
- Excellent electrical performance, ideal for OA and AV applications.
- Excellent environmental performance, including heat and shock resistance.
- Meets the requirements for re-flow profiling using lead-free solder.



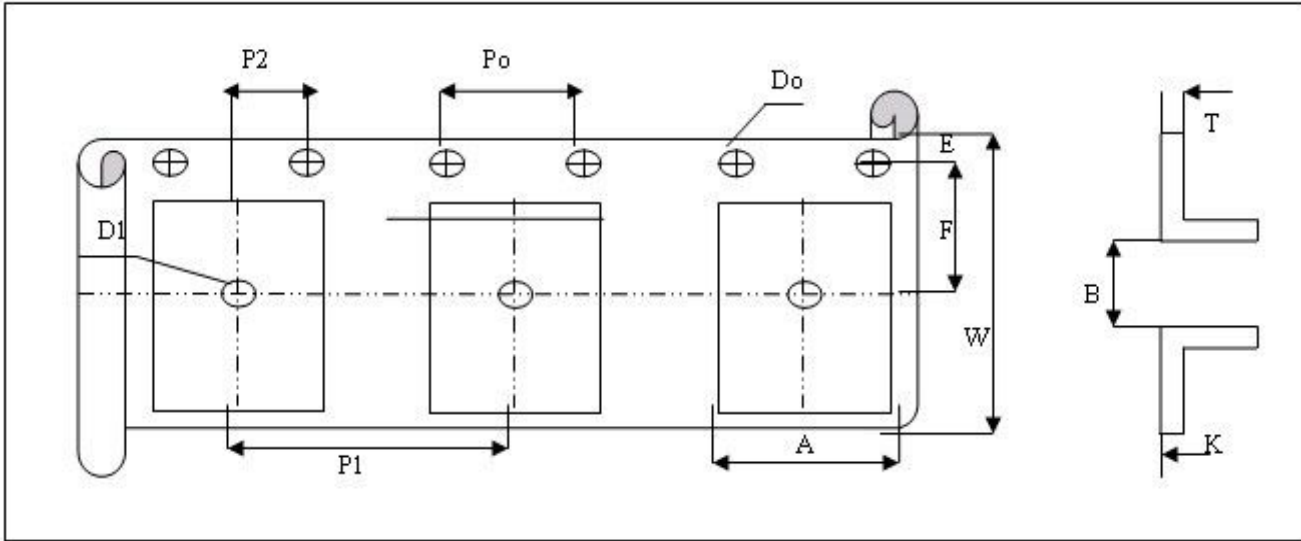
Specifications

| 项目Item | 技术Specifications | 备注Remarks |
|----------------------------|-----------------------------|------------------------------|
| 频率范围Freq. Range | 33.838mhz | Fund. ;AT-Cut |
| 调整频差Freq. Tol. | ±10PPm [~] | Others are offered 25°C ±3°C |
| 负载电容Load Capacitance | Fund. ;7pF [~] | 明确注释please specify |
| Series Resistance | As ESR table | |
| Storage Temperature | ±10PPm [~] | 可依实际而定Others are offered |
| 工作温度Operaing Temp | -20°C to 70°C -40°C to 85°C | 可依实际而定Others are offered |
| 储存温度Storage Temp | -55°C to 125°C | |
| 最大值Max, drive level | 1000 μ W | |
| 建议使用Rec, drive level | 100 μ W | |
| 静电容 Shunt Capacitance | 5pF Max | |
| 绝缘电阻 Insulation Resistance | 500m Ω Min | Minimum |
| 老化率Aging | ±2PPm/Year Max | Maximum |

Dimensions

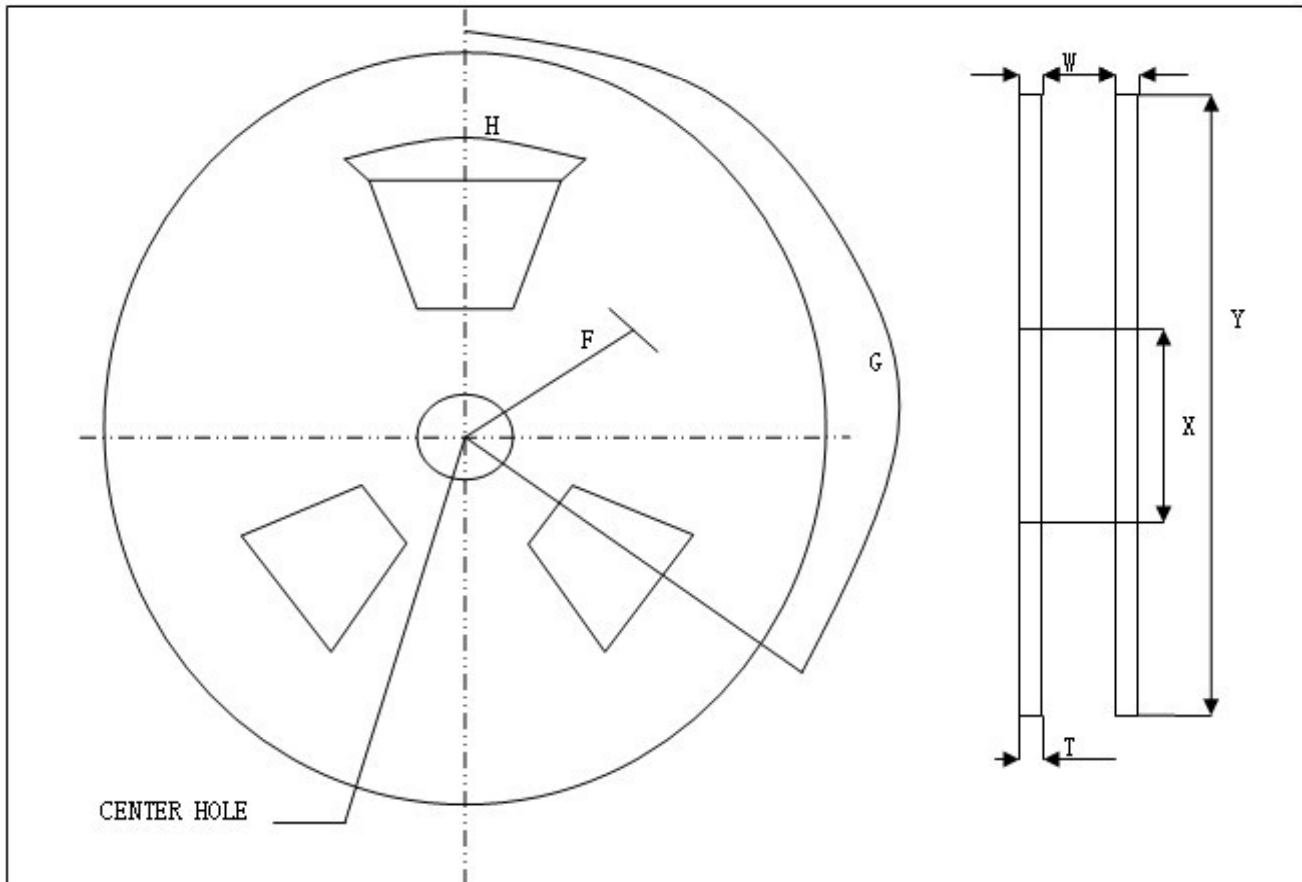


■ Taping Specification



| | | | | | | | |
|-----------|---------|-----|-----|-----|---|------|-----|
| Symbol | A | B | Do | D1 | E | F | |
| DIMENSION | 3.2*2.5 | 2.8 | 3.5 | 1.5 | 1 | 1.75 | 3.5 |
| Symbol | K | Po | P1 | P2 | T | W | |
| DIMENSION | 3.2*2.5 | 1 | 4 | 8 | 2 | 0.25 | 8 |

Unit:mm



| | | | | | | | | |
|-----------|---------|-----|--------|-----|------|---|----|-----|
| Symbol | H | F | G | W | T | X | Y | |
| Dimension | 3.2*2.5 | 40° | 21±0.8 | 120 | 17.5 | 2 | 50 | 250 |