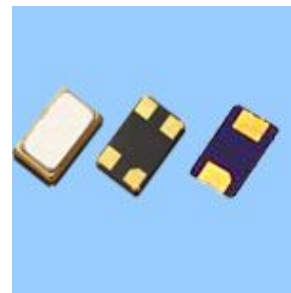


SMD6035

Features

A small surface-mount type crystal unit, ideal for OA, AV and Accessories for a car, which need performance for wide temperature range.

- Compact and thin. (6×3.5×1.1mm typ.)
- Excellent electrical performance, ideal for OA and AV applications.
- Excellent environmental performance, including heat and shock resistance.
- Meets the requirements for re-flow profiling using lead-free solder.



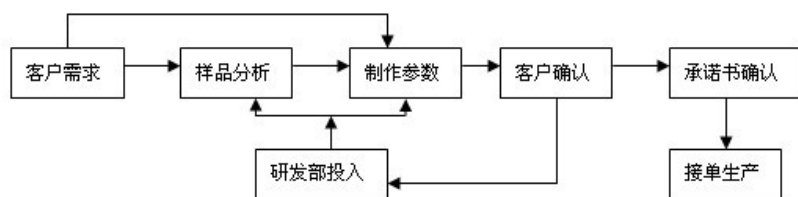
Specifications

项目Item	技术Specifications
频率范围Freq. Range	13.560MHz
调整频差Freq. Tol.	±10PPm to ±100PPm
负载电容Load Capacitance	Suggested by customer
Series Resistance	As ESR table
Storage Temperature	±10PPm to ±100PPm
工作温度Operaing Temp	-10°C to 60°C to -40°C to 85°C
储存温度Storage Temp	-40°C to 85°C to -55°C to 125°C
最大值Max, drive level	1000 μW
建议使用Rec, drive level	100 μW
静电容 Shunt Capacitance	7pF Max
绝缘电阻 Insulation Resistance	500mΩ Min
老化率Aging	±5PPm/Year Max

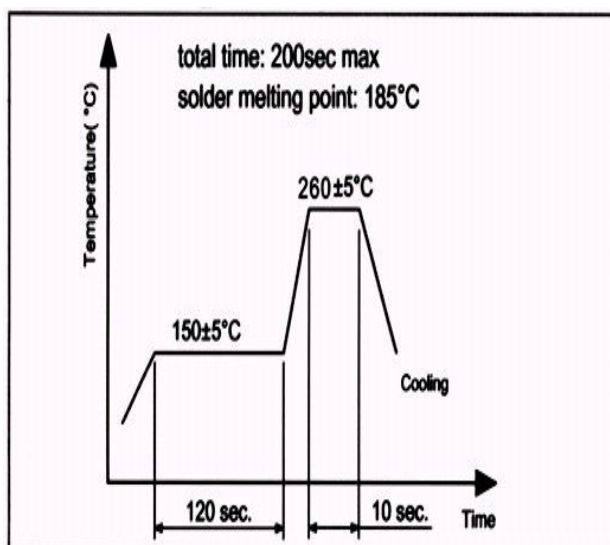
ESR (Series Resistance)

Frequency (MHz)	Mode	Ohm Max	Frequency (MHz)	Mode	Ohm Max
8~10	Fund. AT	60	14~20	Fund. AT	40
10~14	Fund. AT	50	20~40	Fund. AT	30
40~150	Third	80			

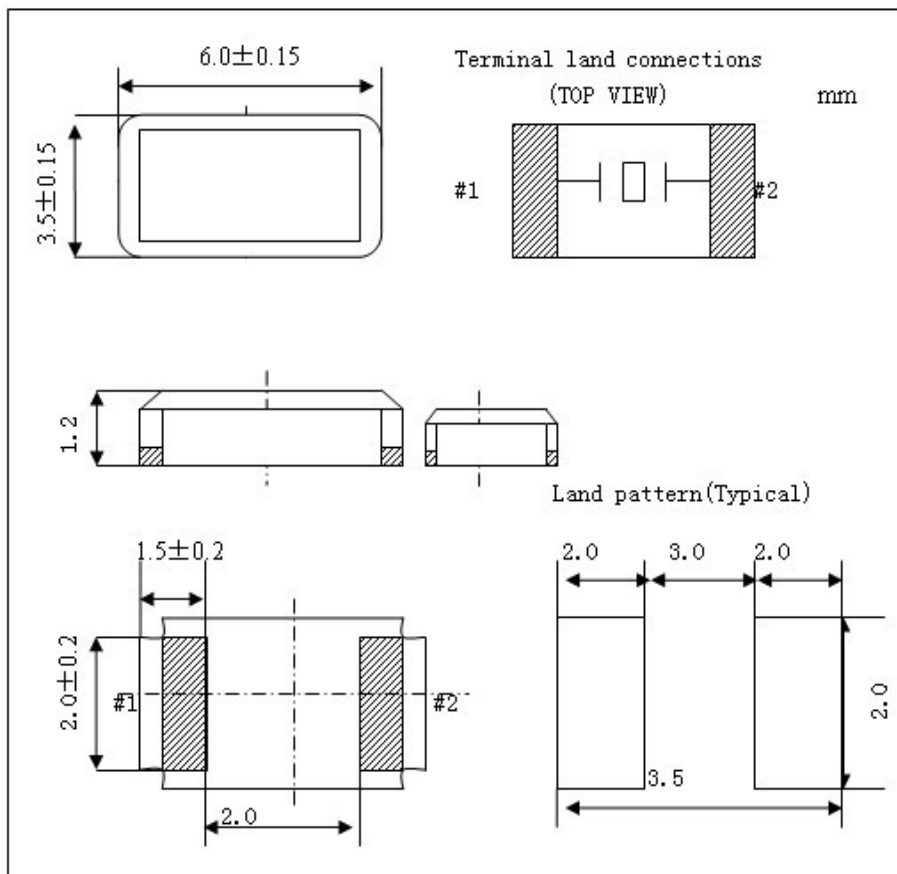
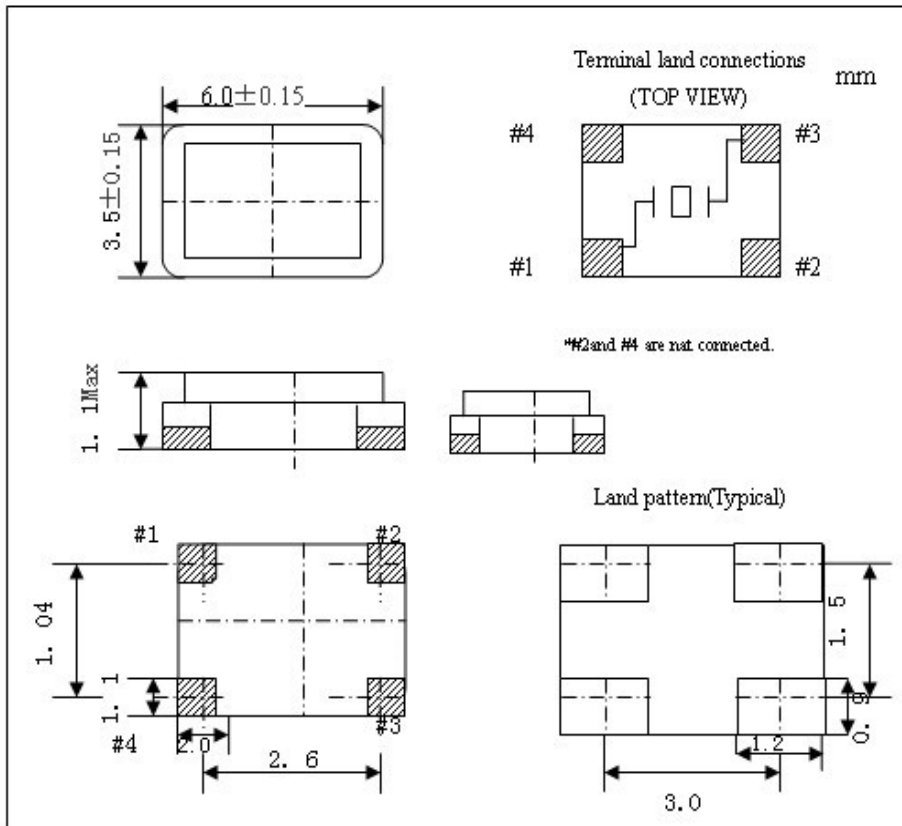
Ordering Information



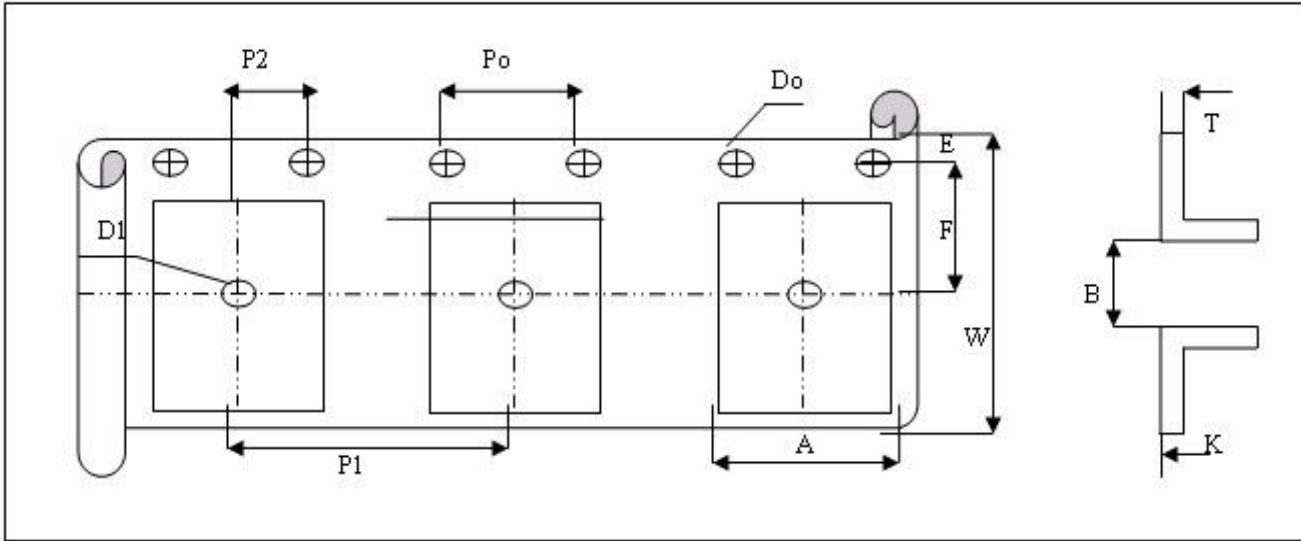
Reflow Condition



Dimensions

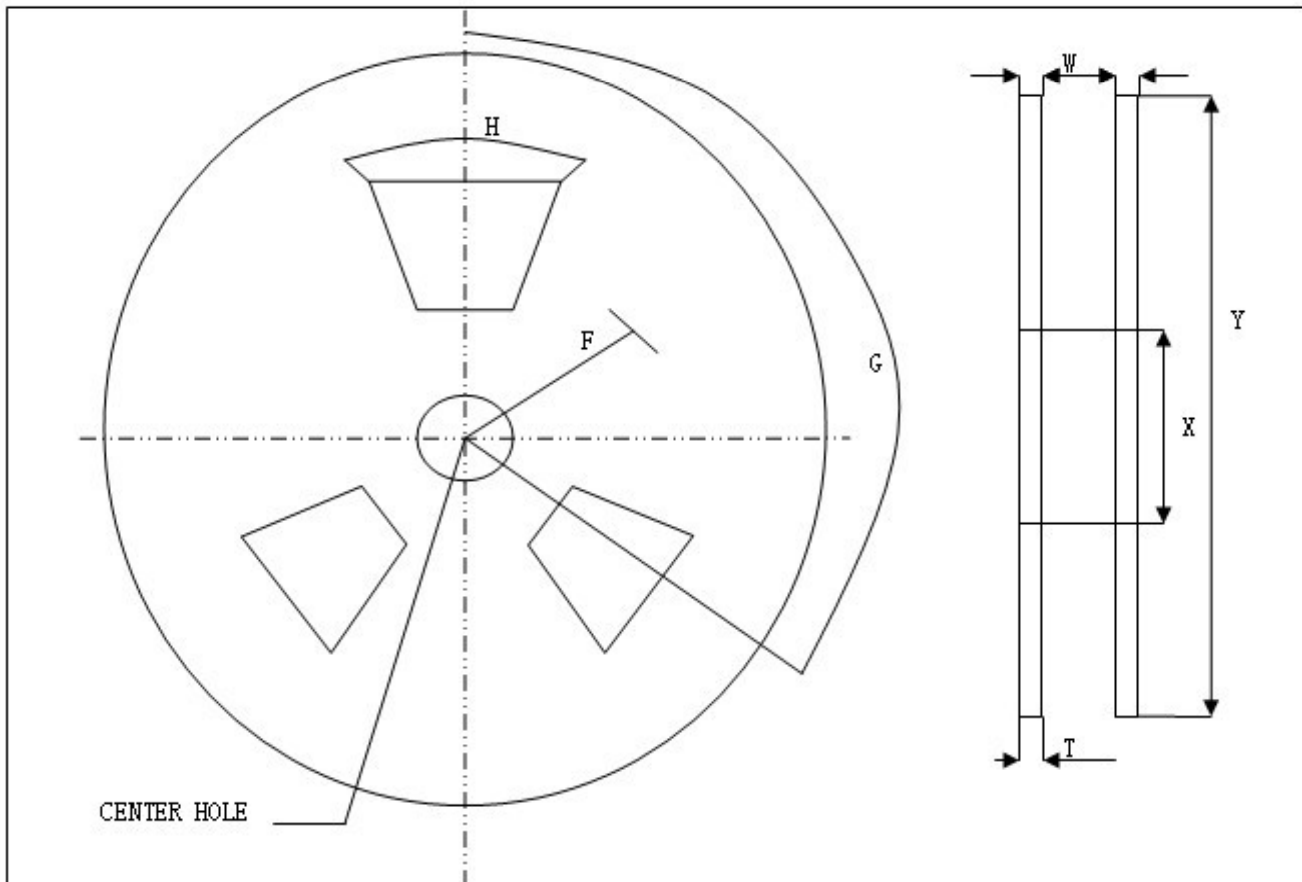


■ Taping Specification



Symbol	A	B	Do	D1	E	F	
DIMENSION	6*354P	3.5	6.5	1.5	2.2	1.75	5.5
Symbol	K	Po	P1	P2	T	W	
DIMENSION	6*3.54p	1	4	4	2	0.3	12

Unit:mm



Symbol	H	F	G	W	T	X	Y	
Dimension	6*354P	40°	21±0.8	120	17.5	2	50	250