

OSC5032 1.000MHZ

■ Features

- Tight frequency tolerance.
- Pin-compatible with standard 5.0*3.2*1.3mm. packages
- Low power standby mode.
- surface mounting and automatically loaded.
- Lower noise and current with reduced power consumption.
- Pb-free and RoHS/Green compliant.



■ APPLICATIONS

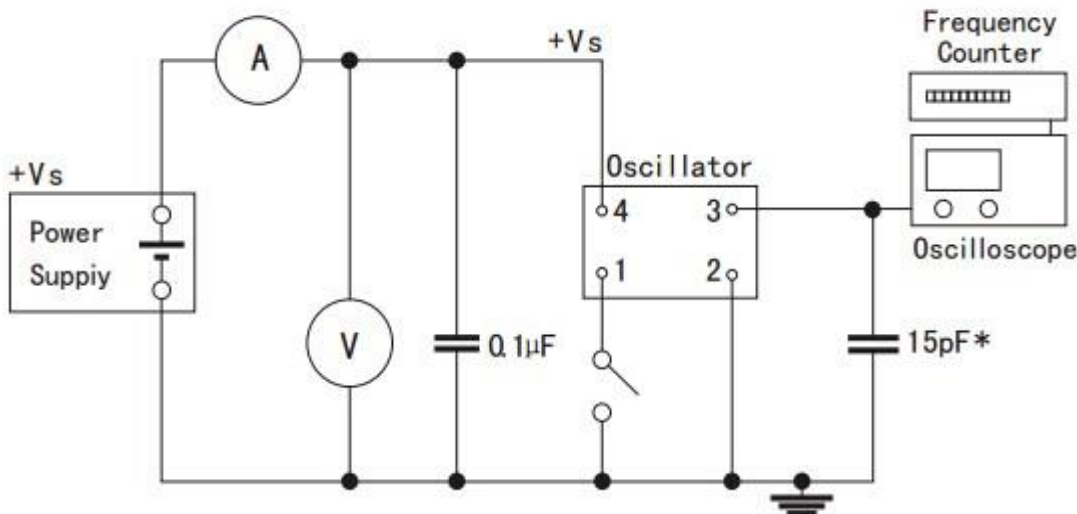
- Ideally suited designed for use in Ethernet, fiber channel, PCs, NB, CMCIA Cards, Palmtop Computer, Portable Applications.

■ Specifications 电气参数

| 项目Item | 技术Specifications |
|--------------------------------|-------------------------------------------------------|
| 频率范围Freq. Range | 1.000MHZ |
| 总频差Frequency Stability | ±20ppm T0 ±50ppm |
| 工作温度Operaing Temp | -20℃ to 70℃ / -40℃ to 85℃ |
| 储存温度Storage Temp | -40℃ to 85℃ / -55℃ to 125℃ |
| 输入电压Supply Voltage | +5Vdc or 3.3V ±10% ※(see Notes) |
| 占空比 Symmetry | 40/60 Standard |
| 输出Output Load | 10 TTL or 15PF HCMOS |
| 消耗电流 | Current Consumption 15pf only) (5.0V) |
| | 1.000mhz-35.999mhz =25mA max |
| | 36.000mhz-69.999mhz =60mA max |
| | 70.000mhz-100.000mhz =80mA max |
| | Current Consumption 15pf only) (1.8V 2.5V 2.85V 3.3V) |
| | 1.000mhz-35.999mhz =20mA max |
| 36.000mhz-69.999mhz =40mA max | |
| 70.000mhz-125.000mhz =60mA max | |
| 上升/下降时间Rise/Fall Time | 5nS max |

※Notes: The supply voltage 1.8V, 2.5V, 2.85V also can be made by customer.

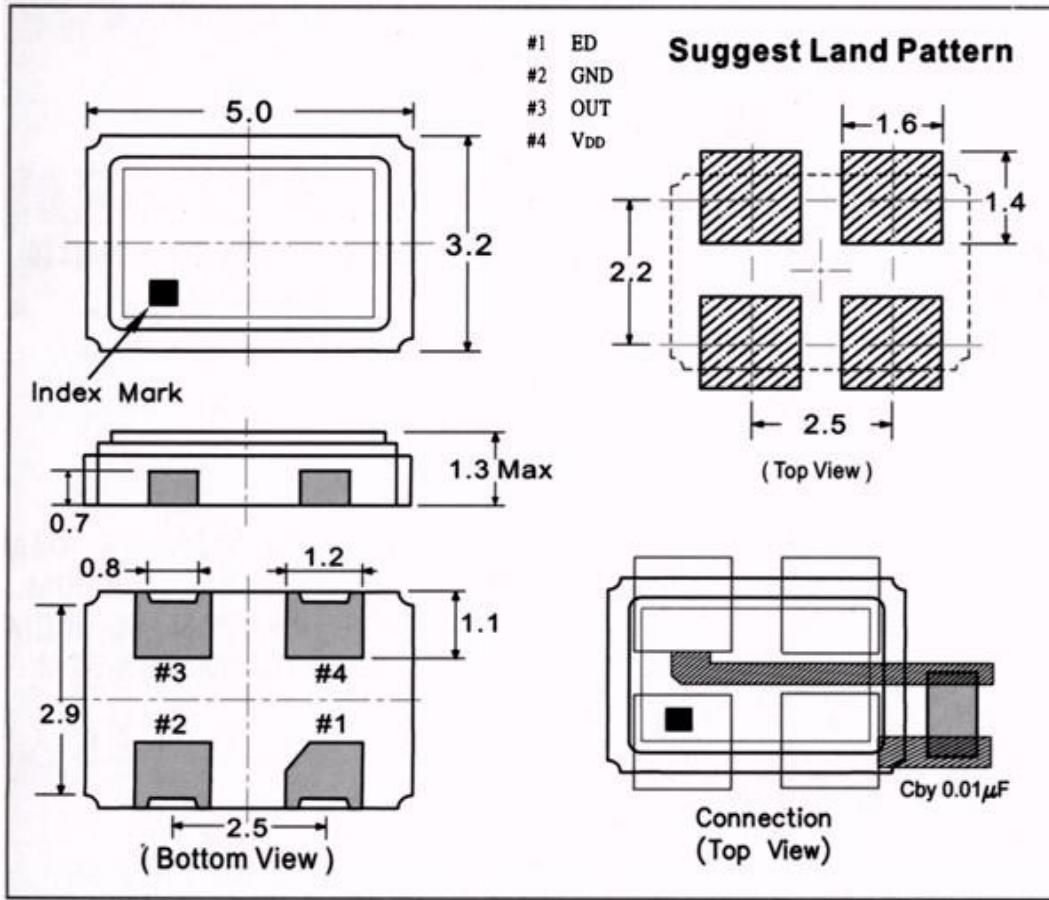
■ Test Circuit 测试电路图



Tri-state: PIN 1 connected to Vdd or floating, the product is working properly; connected to



Dimensions 尺寸封装图



输出波形图

