

OSC7050 2.048MHZ

Features

- CMOS compatible logic levels.
- Pin-compatible with standard 7.0*5*1.4mm. packages
- Low power standby mode.
- High precision characteristic covering up to high frequency range.
- Low jitter and tight stability with fundamental or overtone Design.
- Pb-free and RoHS/Green compliant.
- Output Tri-state function.
- Embossed taping specification.
- Reflow soldering.



APPLICATIONS

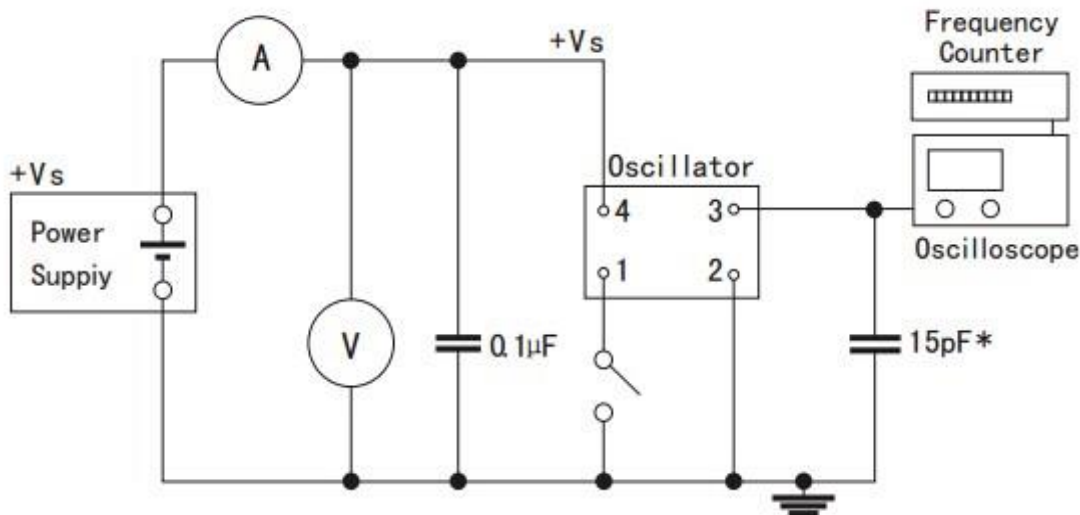
● Ideally suited designed for discdrives , NB, Networking, GPS/Navigation, Bluetooth, Ethernet, ADSL, VDSL, Fiber channel hand-held electronic products.

Specifications 电气参数

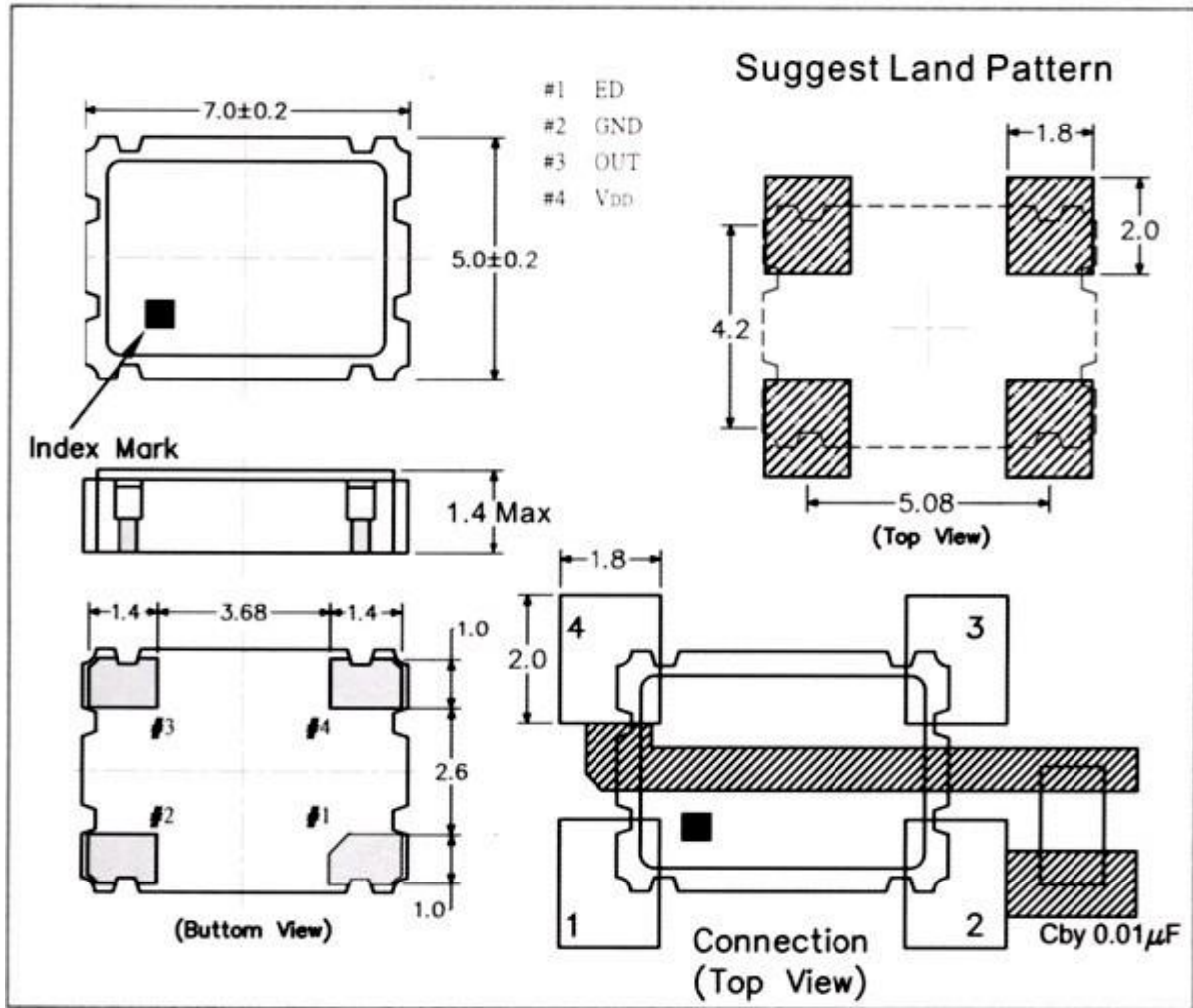
| 项目 Item | 技术 Specifications |
|-------------------------|--|
| 频率范围 Freq. Range | 2.048MHZ |
| 总频差 Frequency Stability | $\pm 20\text{ppm T0} \pm 50\text{ppm}$ |
| 工作温度 Operaing Temp | $-20^{\circ}\text{C to } 70^{\circ}\text{C} / -40^{\circ}\text{C to } 85^{\circ}\text{C}$ |
| 储存温度 Storage Temp | $-40^{\circ}\text{C to } 85^{\circ}\text{C} / -55^{\circ}\text{C to } 125^{\circ}\text{C}$ |
| 输入电压 Supply Voltage | +5Vdc or 3.3V $\pm 10\%$ ※ (see Notes) |
| 占空比 Symmetry | 40/60 Standard |
| 输出 Output Load | 15PF HCMOS |
| 消耗电流 | Current Consumption 15pf only) (5.0V) |
| | Current Consumption 15pf only) (1.8V 2.5V 2.85V 3.3V) |
| | |
| 上升/下降时间 Rise/Fall Time | 5nS max |

※Notes: The supply voltage 1.8V, 2.5V, 2.85V also can be made by customer.

Test Circuit 测试电路图



■ Dimensions 尺寸封装图



Tri-state: PIN 1 connected to Vdd or floating, the product is working properly; connected to GND, stops working

■ 输出波形图

