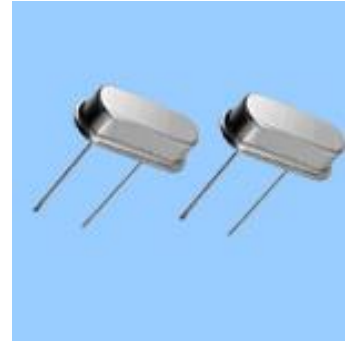




## 无源直插晶振49S-19.2MHZ

### Features

- Resistance weld seal.
- A resistance weld completely sealed type.
- The tight frequency stability.
- Low cost.
- Versatile.
- Pb-free and ROHS/Green compliant.



### Applications

- Ideally suited designed for Set-Top Box/Multimedia, modems, clock/vcxo multiplier, network adapter cards and remote control devices.

### Specifications

| 项目Item                                | 技术Specifications  |
|---------------------------------------|---|
| 型号Holder Type                         | 49S-19.2MHZ   |
| 频率范围 Frequency Range                  | 19.200MHZ   |
| 调整频差Frequency Tolerance( $\Delta F$ ) | $\pm 10\text{PPm}$ to $\pm 30\text{PPm}$ (at 25°C)      |
| 温度频差Frequency Drift                   | $\pm 10\text{PPm}$ to $\pm 30\text{PPm}$ ※(See Notes 2) |
| 工作温度Operaing Temp                     | -20°C to 70°C/-40°C to 85°C                             |
| 储存温度Storage Temp                      | -40°C to 85°C/-55°C to 125°C                            |
| 老化能力 Aging (25°C)                     | $\pm 5\text{PPm/year}$ Maximum                          |
| 静电容Shunt Capacitance(C0)              | 7pF maximum   |
| 激励功率Drive Level                       | 100 $\mu\text{W}$ Typical                               |
| 绝缘阻抗Insulaton Resistance(Rs)          | 500 Megaohms Minimum at D, C100V                        |
| 负载电容Load Capacitance (CL)             | Suggested by customer                                   |

※Notes1; For 2.5mm height, lowest frequency is 10 MHZ.

For 2.8mm height, lowest, frequency is 6 MHZ

※Notes2;  $\pm 10$ ,  $\pm 20$ ,  $\pm 30\text{ppm}$  (-20°C to 70°C)

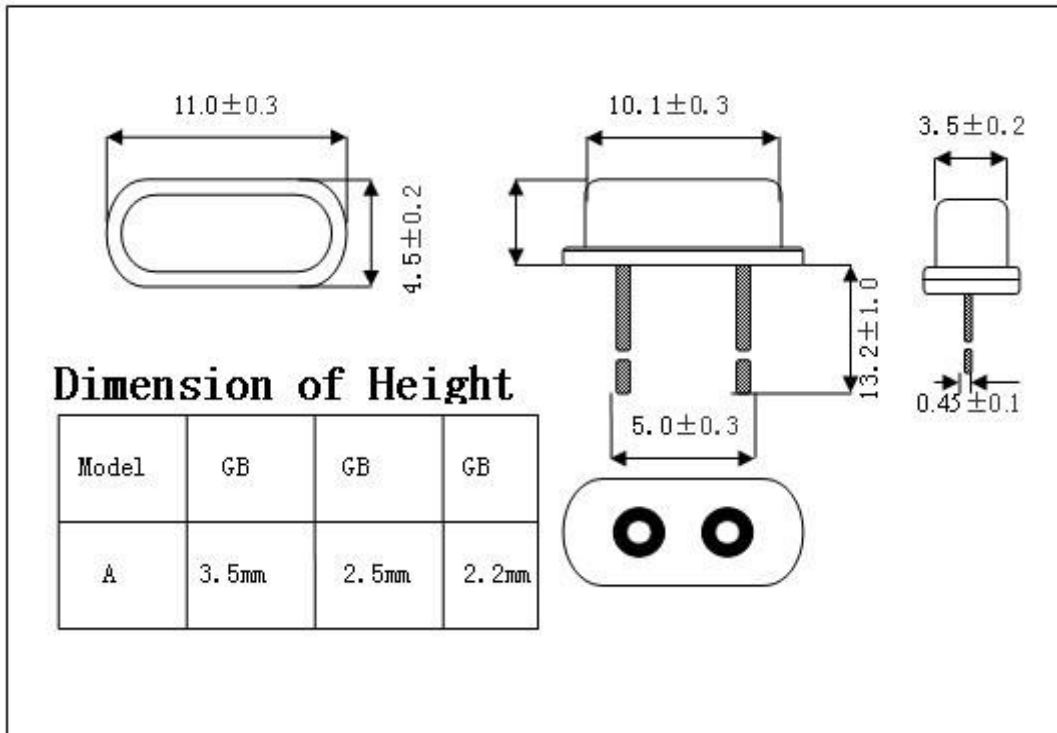
$\pm 20$ ,  $\pm 30$ ,  $\pm 50\text{ppm}$  (-40°C to 85°C) or depends on customer

### Equivalent Series Resistance and Mode of Operation

| Frequency (MHz) | Mode  | ESR ( $\Omega$ ) Max | Frequency (MHz) | Mode      | ESR ( $\Omega$ ) Max |
|-----------------|-------|----------------------|-----------------|-----------|----------------------|
| 3.2~3.579       | Fund. | 250                  | 10.0~14.0       | Fund.     | 50                   |
| 3.579~4.0       | Fund. | 150                  | 14.0~20.0       | Fund.     | 40                   |
| 4.0~5.0         | Fund. | 120                  | 20.0~48         | Fund.     | 30/40(BT cut)        |
| 5.0~6.0         | Fund. | 100                  | 35~40           | 3th I. T. | 100                  |
| 6.0~7.0         | Fund. | 80                   | 40~100          | 3th I. T. | 80                   |
| 7.0~10.0        | Fund. | 60                   |                 |           |                      |



## Dimensions



## Reflow Condition

